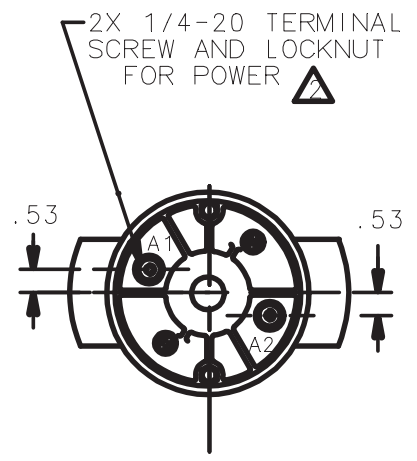
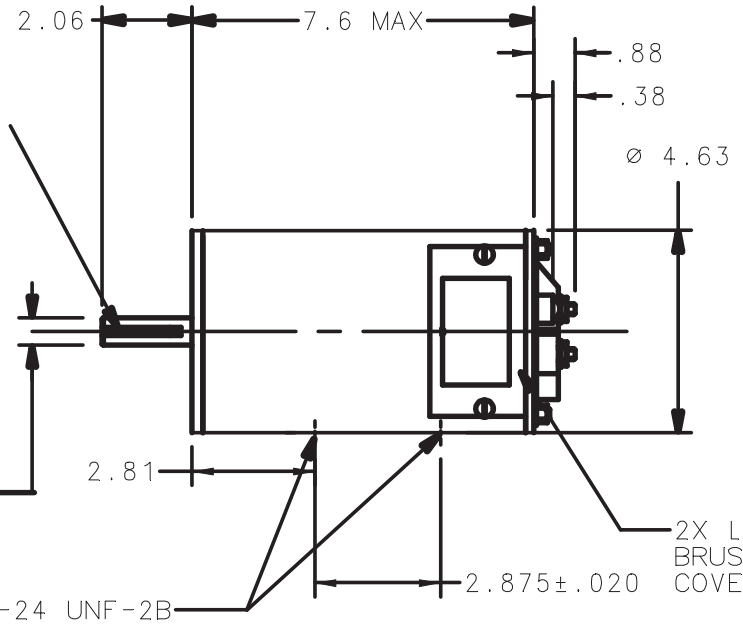


□ .188 X 1.38
LONG KEY

∅ .6245 ^{+.0000}_{-.0005}



NOTES:
 1 ALL DIMENSIONS REFERENCED UNLESS TOLERANCED.
 2 POSITIVE TO A1 WILL CAUSE CW ROTATION VIEWED FROM FRONT END.

VOLTAGE	27 VDC
HORSEPOWER	1/3
RPM	1500
AMPERE'S	12
CONTINUOUS DUTY	
PERMANENT MAGNET FIELD	
CLASS H INSULATION	
BALL BEARINGS	

SCALE 5/16	THIRD ANGLE PROJECTION	DRAWN BTK	01/19/04	RELEASE NO.	REPLACES
DO NOT SCALE PRINT		CHECK			
THIS DRAWING COVERS A PROPRIETARY ITEM AND IS THE PROPERTY OF PACIFIC SCIENTIFIC MOTOR & CONTROL DIVISION. THIS DRAWING IS NOT TO BE COPIED OR USED WITHOUT THE APPROVAL OF PACIFIC SCIENTIFIC.					
		TITLE D.C. MOTOR		CATALOG LISTING BA3624-3374-1-56H	
		CUSTOMER			